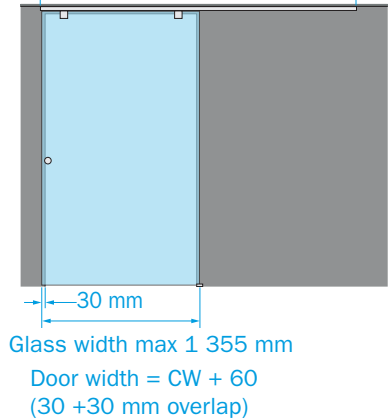
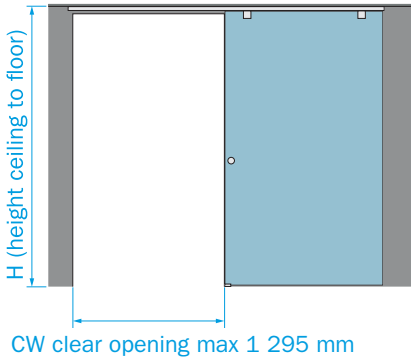
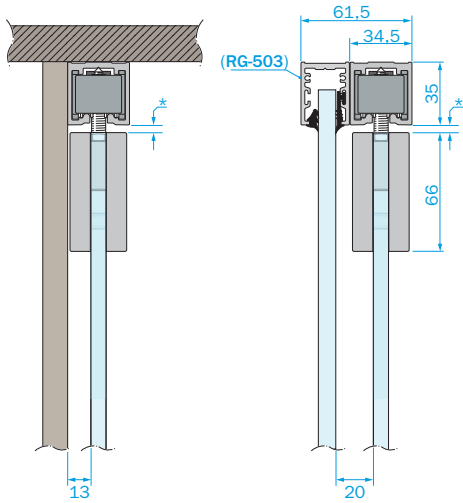


MAX Height-Width
 Ratio of the door is 2,5:1
 MAX door weight = 35 - 65 kg
 Fits glass thickness 8 - 10 mm

MIN Glass width= 750 mm
 MAX Glass width= 1 355 mm

Profile standard length = 2 700 mm
 Length of profile = $(2 \times CW) + 110$





* Distance profile to glass.

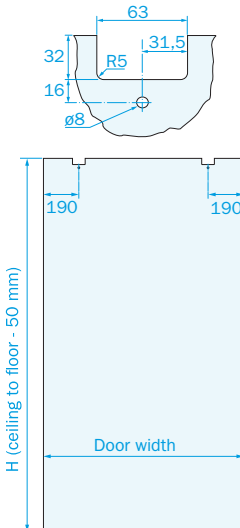
Alt.1 Def. 2 mm (max 8 mm)

Alt.2 Def. 34 mm (max 40 mm)

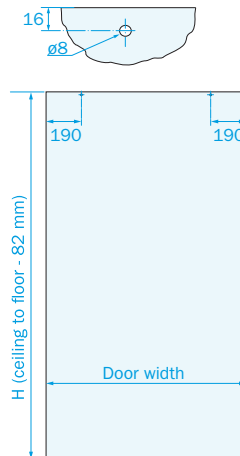
The default dimensions 2 mm and 34 mm give a distance to floor of 13 mm.

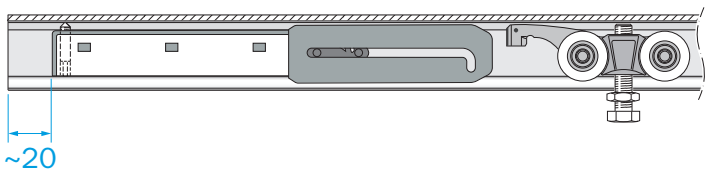
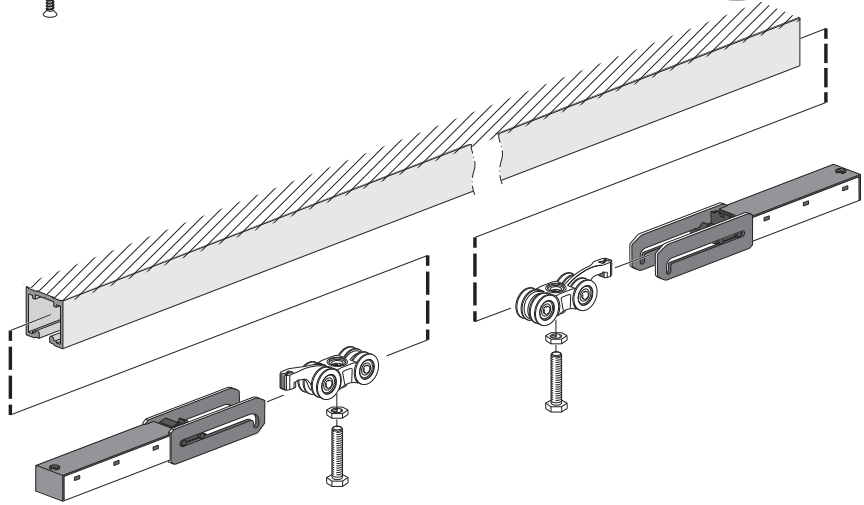
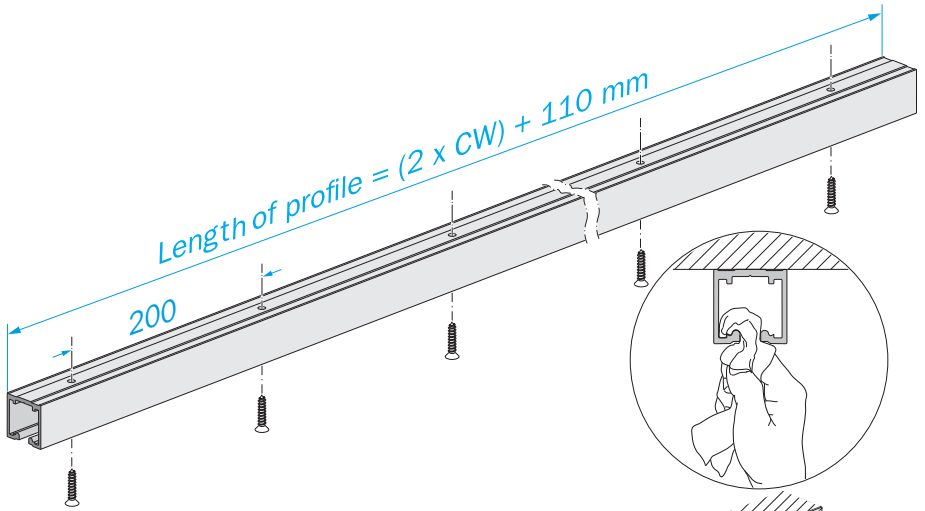
Glass cut out.

Alt.1

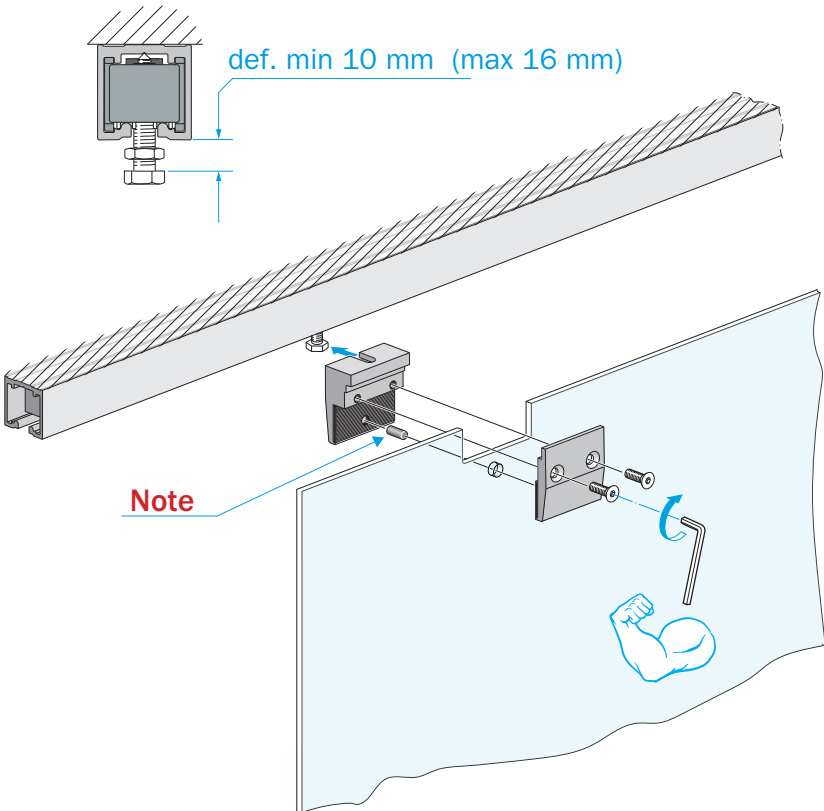
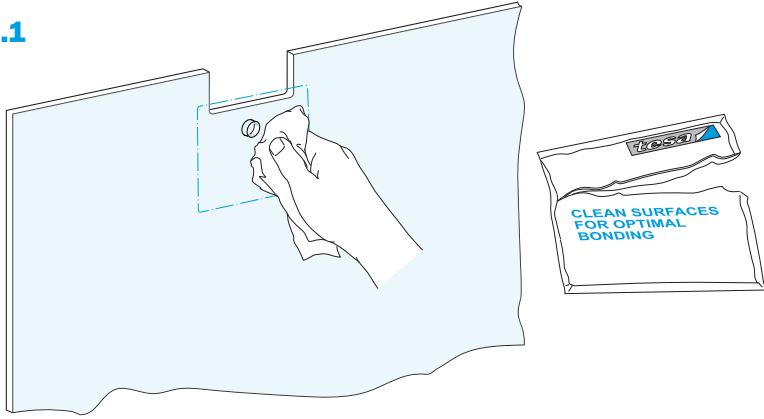


Alt.2

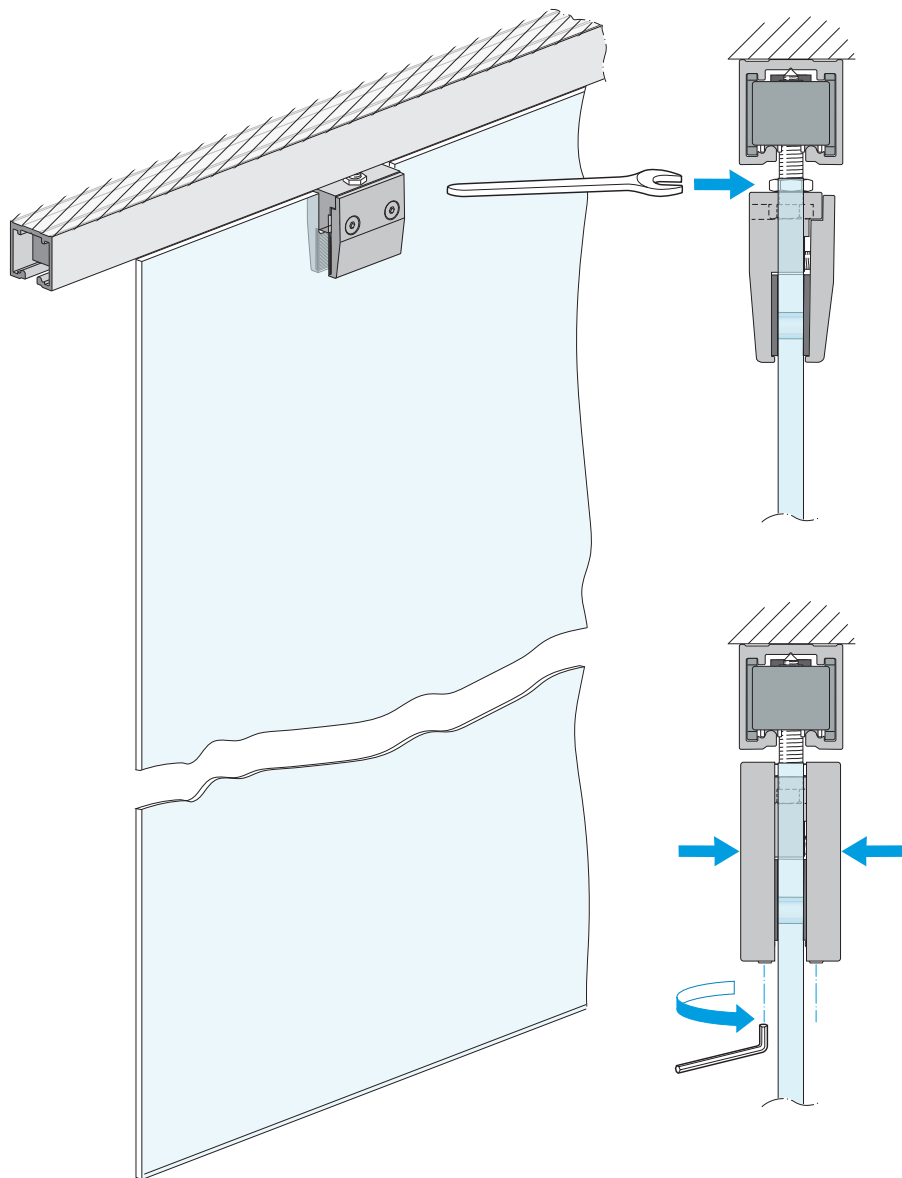




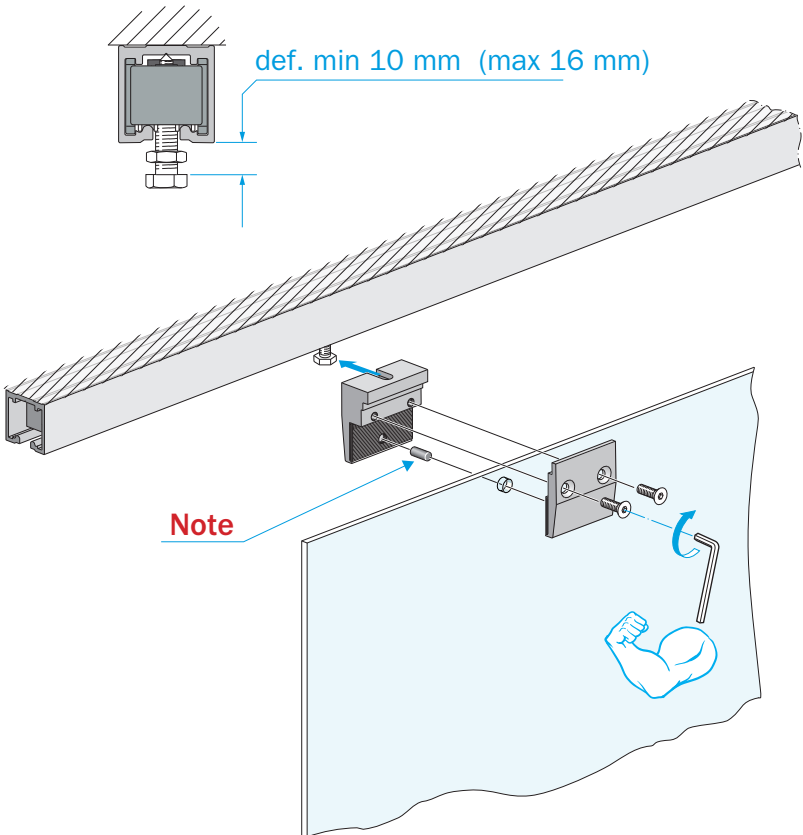
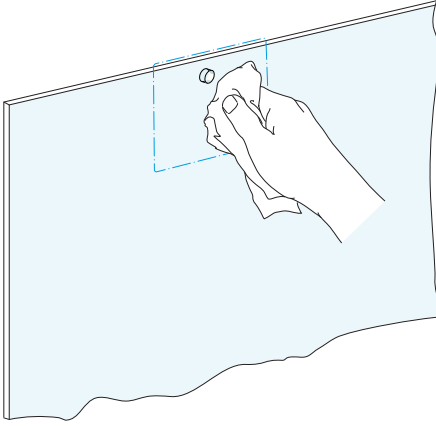
Alt.1



Alt.1



Alt.2



Alt.2

